

REMA X-Line ratchet hoist



The REMA X-Line is a competitive ratchet hoist for safe and reliable operation during hoisting, pulling, tensioning or lashing.

Properties

- Low effort at full load.
- Increased operational safety due to double pawl system.
- Brake with asbestos free friction discs.
- Freewheel in unloaded condition.
- Load chain wheel is made of wear-resistant alloy steel.
- Top and bottom hook have safety latches.
- In case of overload, the hooks will gradually bend and do not suddenly break off.
- Galvanized load chain (Grade 8).

Standard delivery

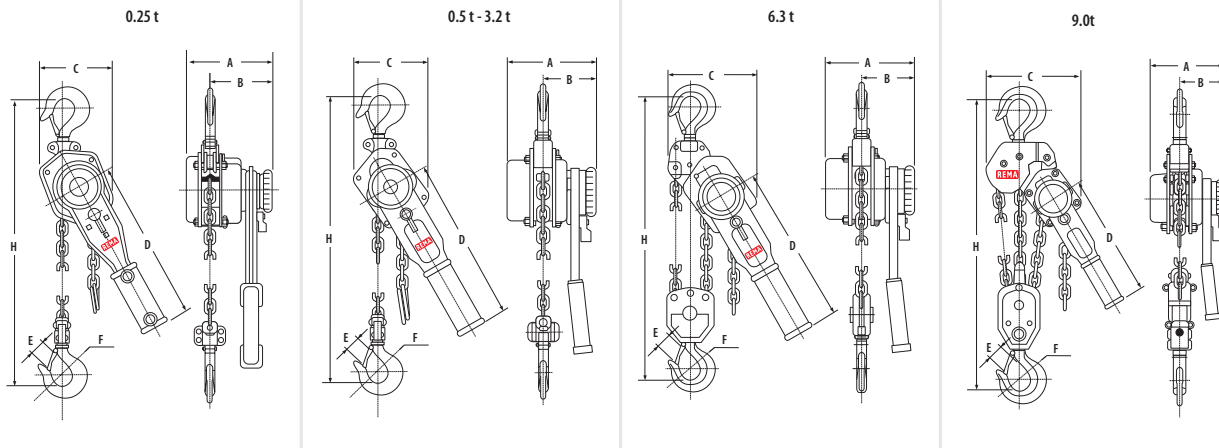
- 1,5 m lifting height (max distance between top and bottom hook).

Option

- Available in other lifting heights.

Norm:

- EN12100-1/2, EN13157, EN818-7



Type	WLL (kg)	Hand force max. (kg)	Load chain (mm)	Number of falls	Construction height (mm)	Weight (kg)	ProductId
X-LH025/250KG	250	28.2	4.0 x 12.0	1	235	2.5	0270000
X-LH050/500KG	500	24.8	5.0 x 15.0	1	310	5.5	0270001
X-LH080/800KG	800	26.5	5.6 x 17.0	1	340	6.5	0270003
X-LH16/1600KG	1600	29.5	7,1 x 21,0	1	400	10.2	0270005
X-LH32/3200KG	3200	33.5	10.0 x 28.0	1	520	22.0	0270007
X-LH63/6300KG	6300	37.0	10.0 x 28.0	2	640	34.0	0270009
X-LH90/9000KG	9000	42.0	10.0 x 28.0	3	730	45.0	0270011

Type	A (mm)	B (mm)	C (mm)	D (mm)	E (mm)	F (mm)	H (mm)
X-LH025/250KG	100	70	86	163	20	31	235
X-LH050/500KG	150	90	118	253	22	32	310
X-LH080/800KG	158	98	132	273	26	36	340
X-LH16/1600KG	185	111	145	378	29	43	400
X-LH32/3200KG	212	124	198	418	37	50	520
X-LH63/6300KG	212	124	230	418	43	53	640
X-LH90/9000KG	212	124	338	418	44	67	730